



---

# Royal AJ1

by Arne Jacobsen

---

## ASSEMBLY INSTRUCTIONS

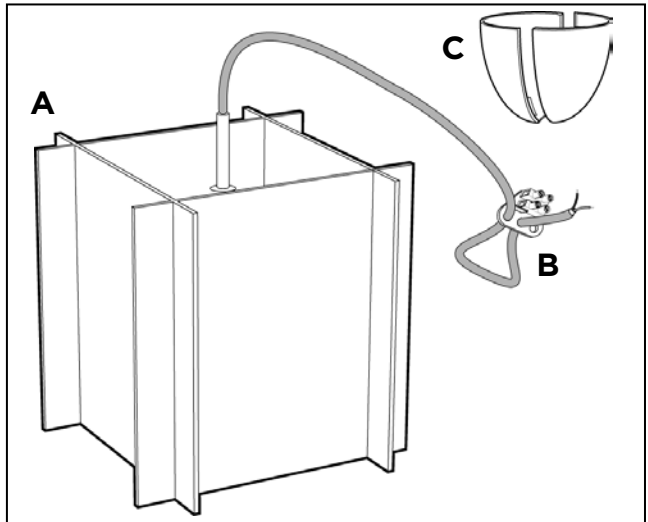
[andtradition.com](http://andtradition.com)

Congratulations on choosing this original Royal lamp, designed in 1960 by Arne Jacobsen. We hope you will enjoy using this lamp and follow these instructions to ensure correct installation. If you have any questions or comments, please do not hesitate to contact us by mail on: [info@andtradition.dk](mailto:info@andtradition.dk)

# Contents:

- A** - Shade
- B** - 3 meter cord fitted with ceiling loop and connector block
- C** - Two-part ceiling cup

**Please read these instructions carefully and retain them for future reference to ensure that the lamp is correctly installed should it be moved or sold. For your own safety, please study each step of this instruction manual before you commence installation. &Tradition are not responsible for any faults or damages caused by not following these instructions correctly. Do not modify this lamp in any way.**



# Installation Suggestions:

Royal works well in groups. You can hang them at different heights, in a row or circle. The lamp is perfect over a dining table. Two or three lamps can provide good lighting over a long table. Different colours can also be combined. Visit our website for more inspiration:

[www.andtradition.com](http://www.andtradition.com)

# Tools Needed:

- Plastic-coated ceiling hook for plaster, wood or concrete ceiling.
- Small flat-head screwdriver for wiring
- Cable cutters
- Cable stripper
- Bulb type: E27 fitting 40 watt tungsten bulb or 7 watt low energy bulb.

# Safety Precautions:

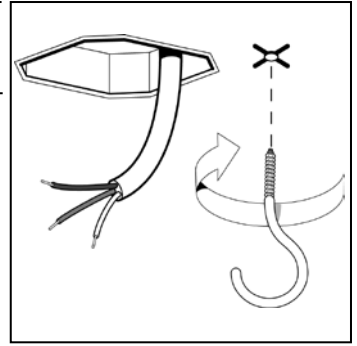
- Dispose of plastic bag from packaging and do not allow children to play with it.
- Keep product well out of children's reach.
- The lamp is only intended for interior use.
- Lamp exterior gets hot after prolonged use.
- Do not attempt installation of product if you are not competent to do so yourself.
- Consult a professionally qualified electrician if in any doubt.
- Disconnect the electricity supply at the fuse box, before commencing work.

# Cleaning Instructions:

- Wipe surface of lamp shade with a soft, damp sponge or cloth.
- Do not use any abrasive cleaning tools such as steel wool, scouring sponges or stiff brushes.
- Never use strong cleaning agents such as white spirit, turpentine, household glass cleaner or cellulose thinners.
- Only wipe the inside of the shade with a soft, damp cloth or feather duster..

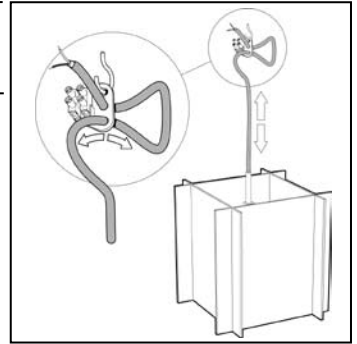
# 01.

Ensure power supply is turned off and remove any existing lamp fitting. Locate the supply cable and ensure it is ready to be fitted to the connector block. Fit ceiling hook close to the domestic AC power supply, but be careful not to come into contact with any hidden cable.



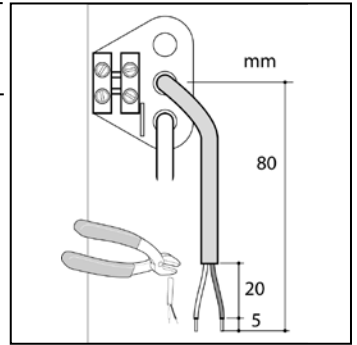
# 02.

To determine the right hanging height for the lamp, hang it from the ceiling hook and pull the cord carefully through the bottom hole of the ceiling hoop as shown in the illustration. When you have the desired hanging height, pull the excess cord through the middle hole of the ceiling hoop so the cord is tight.



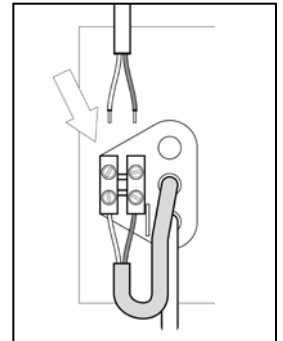
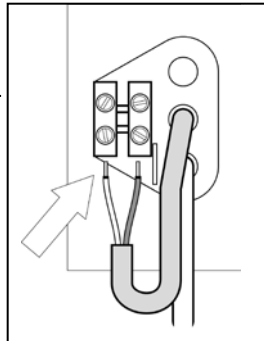
# 03.

Remove the lamp from the hook and disconnect the end of the cord from the connector block. Cut off the excess cord using a cable cutter so that a minimum of 80 mm cord is left to reconnect to the cable connector. Peel back the outer cable using a cable stripper to expose 30 mm of the blue and brown inner cables. Strip the inner cables to expose 5 mm of wire.



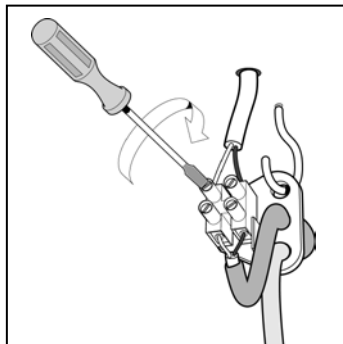
# 04.

Reconnect the blue and brown cables to the the connector block. Pull the cord tight and hang the lamp from the ceiling hook.



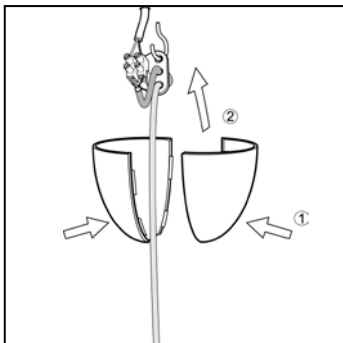
# 05.

Connect the power supply cable to the connector block as shown in the diagram. Ensure that the connections are tight and that no loose strands of wire are sticking out from the connector block.



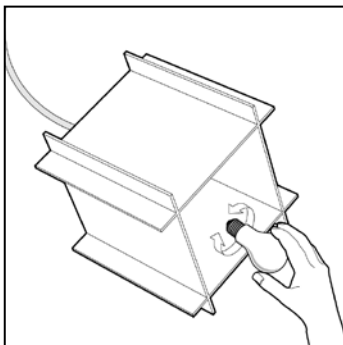
# 06.

Enclose the ceiling hook and cable connection with the two halves of the ceiling cup. Ensure that the two halves click together, and that the cables are not squashed too tightly together inside the ceiling cup. Cut out the pre-moulded grooves in the ceiling cup if the power supply cable has to meet the connector at 90 degrees.



# 07.

Install a lightbulb in the lamp. Switch on the power supply at the fusebox and enjoy your new lamp.



**& tradition<sup>®</sup>**  
COPENHAGEN

KONGEVEJEN 2. DK-3480 FREDENSBORG.

T. +45 39200233 F.+45 39200256

**INFO@ANDTRADITION.DK WWW.ANDTRADITION.COM**